

DerwentHYDRO

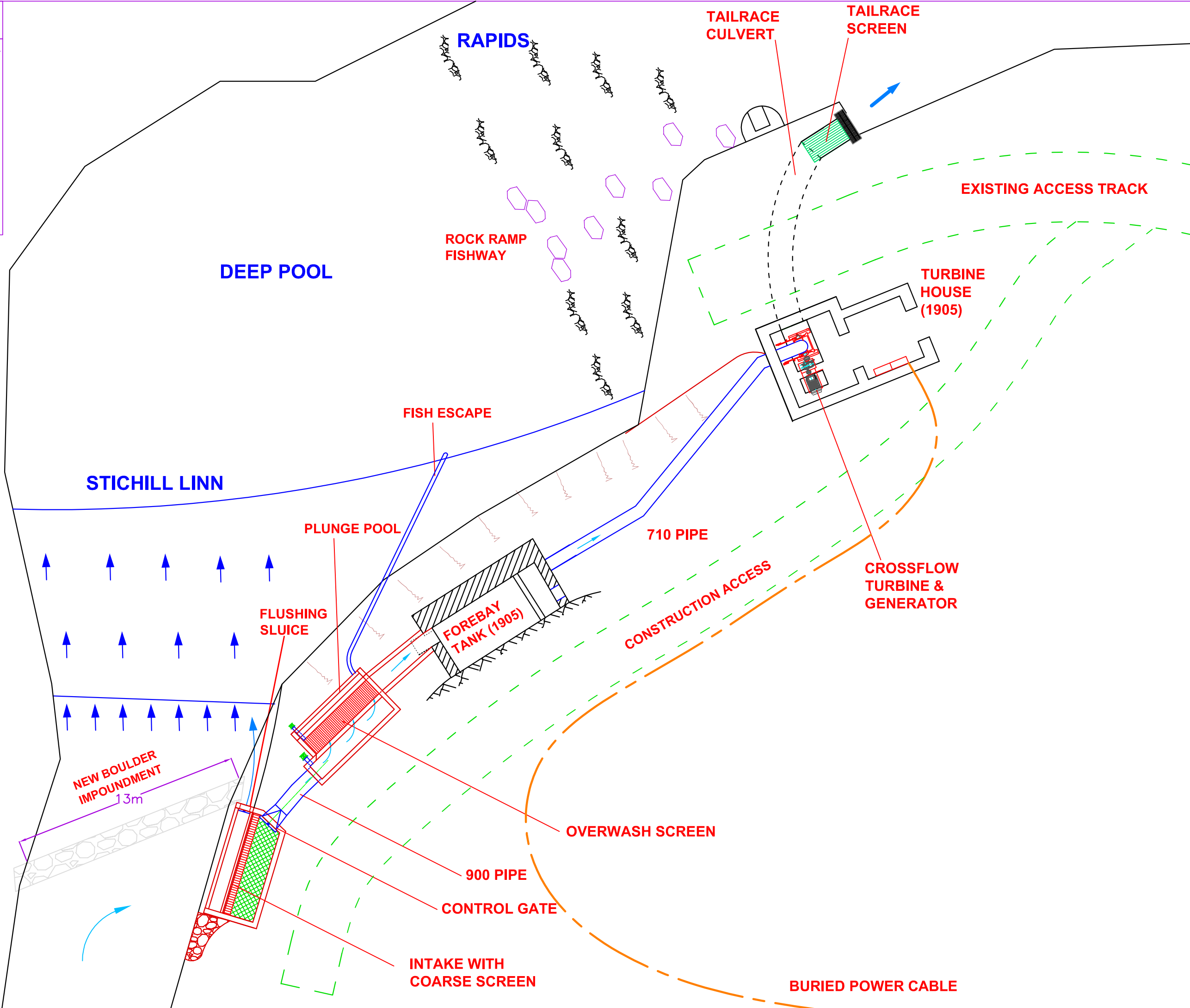
DWG: Balgonie Hydro: Site Layout

REF: 24493-010-A

SCALE : 1 to 200 (Printed A3)

DATE: 18-05-2024

AUTHOR: OFP



RAPIDS

TAILRACE
CULVERT

TAILRACE
SCREEN

EXISTING ACCESS TRACK

DEEP POOL

ROCK RAMP
FISHWAY

TURBINE
HOUSE
(1905)

FISH ESCAPE

STICHILL LINN

PLUNGE POOL

710 PIPE

CROSSFLOW
TURBINE &
GENERATOR

FLUSHING
SLUICE

FOREBAY
TANK (1905)

CONSTRUCTION ACCESS

NEW BOULDER
IMPOUNDMENT
13m

OVERWASH SCREEN

900 PIPE

CONTROL GATE

INTAKE WITH
COARSE SCREEN

BURIED POWER CABLE

DerwentHYDRO

DWG: Balgonie Hydro: Site Layout

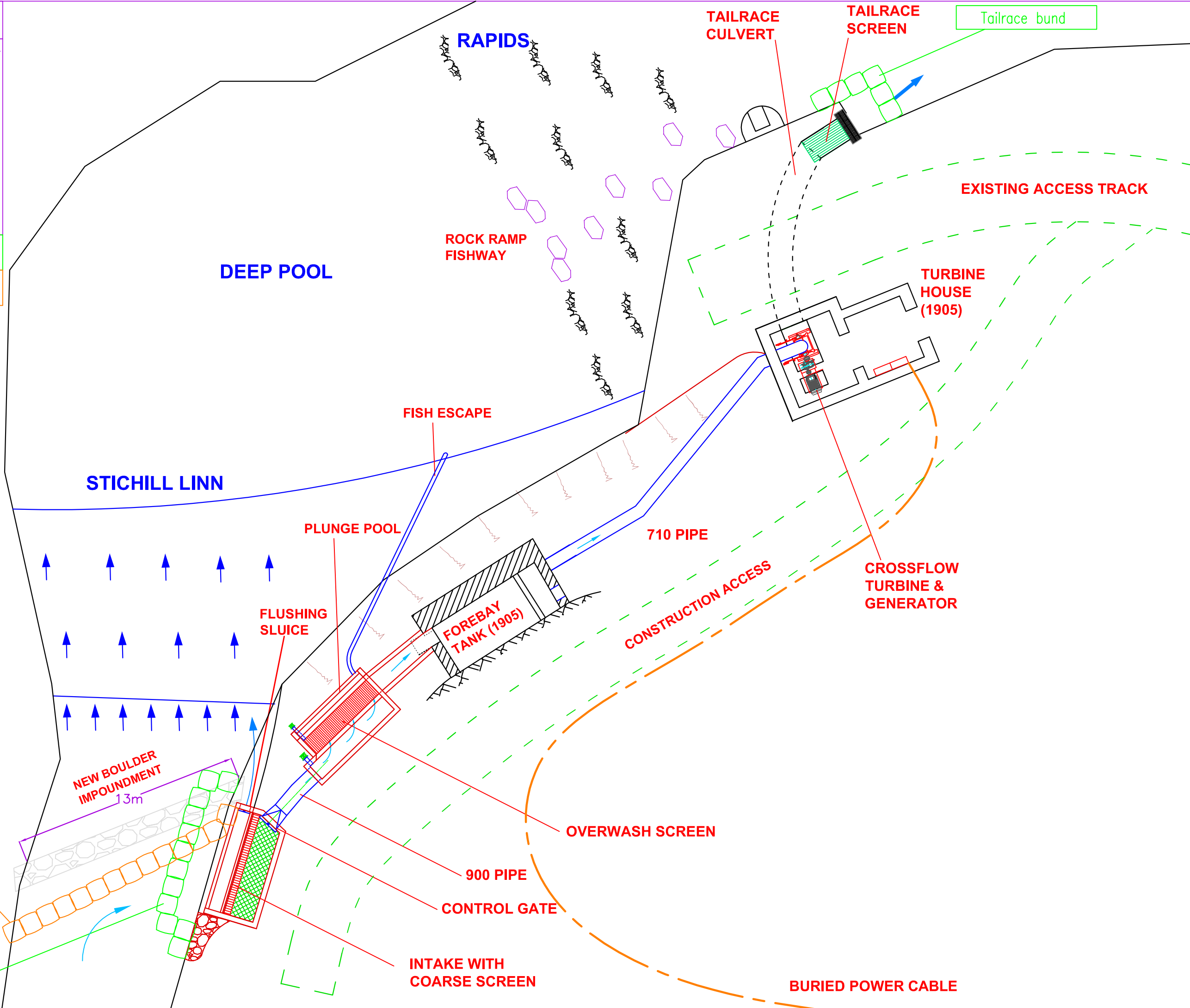
REF: 24493-010-A

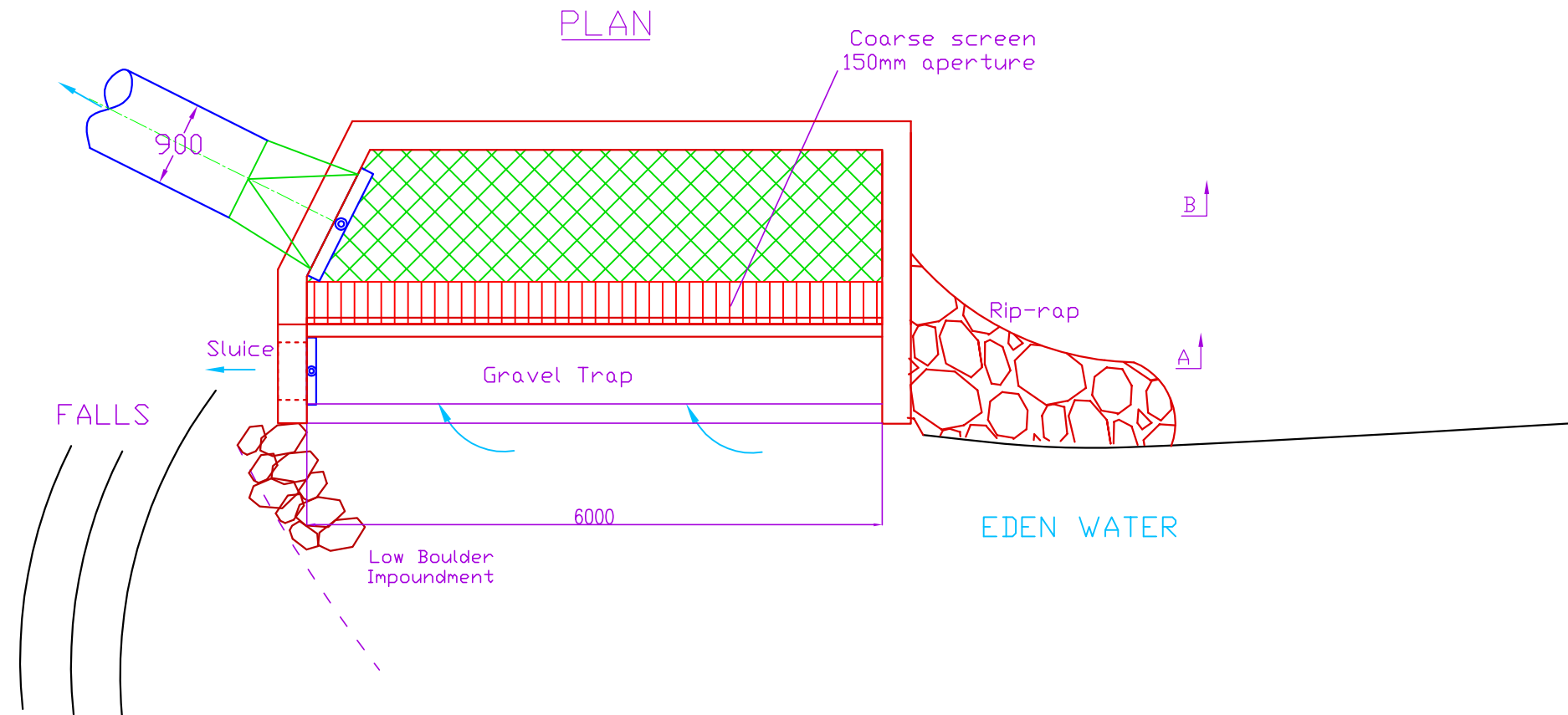
SCALE: 1 to 200 (Printed A3)

DATE: 18-05-2024

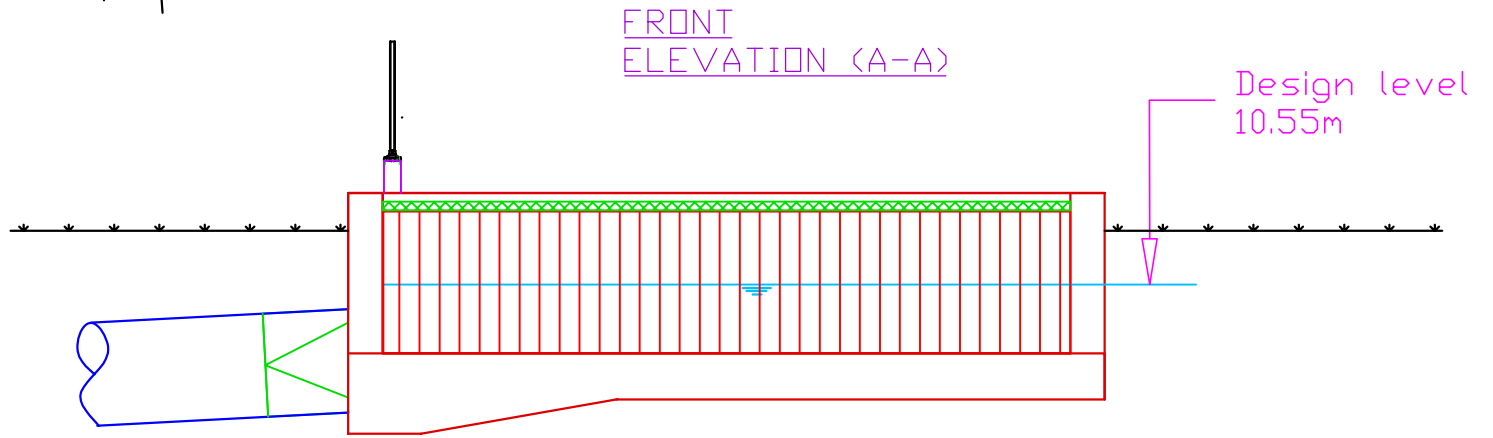
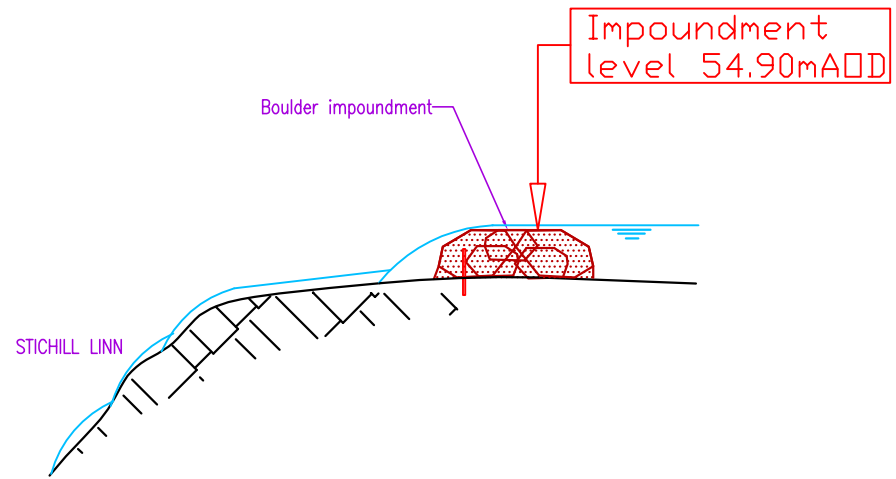
AUTHOR: OFP

- Temporary works #1
- Temporary works #2

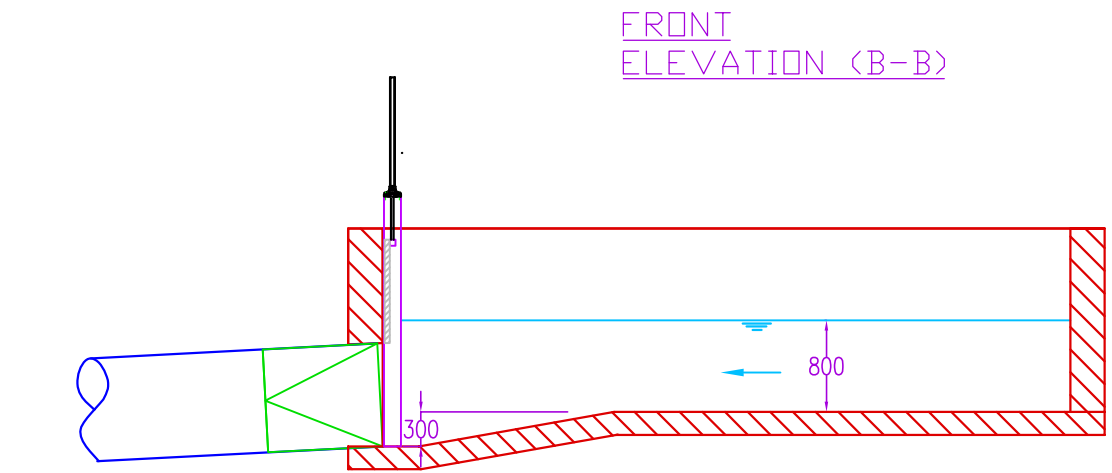
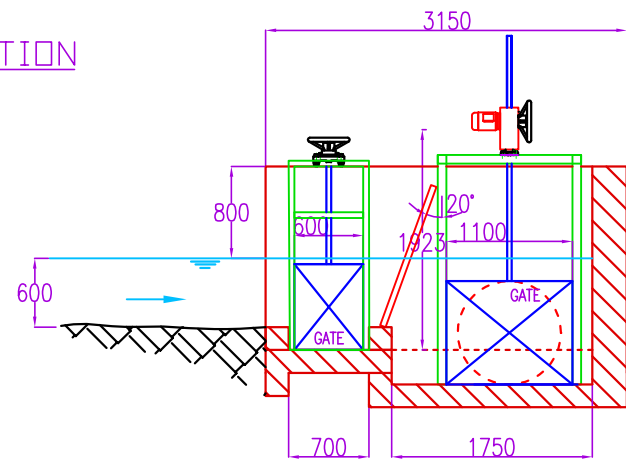




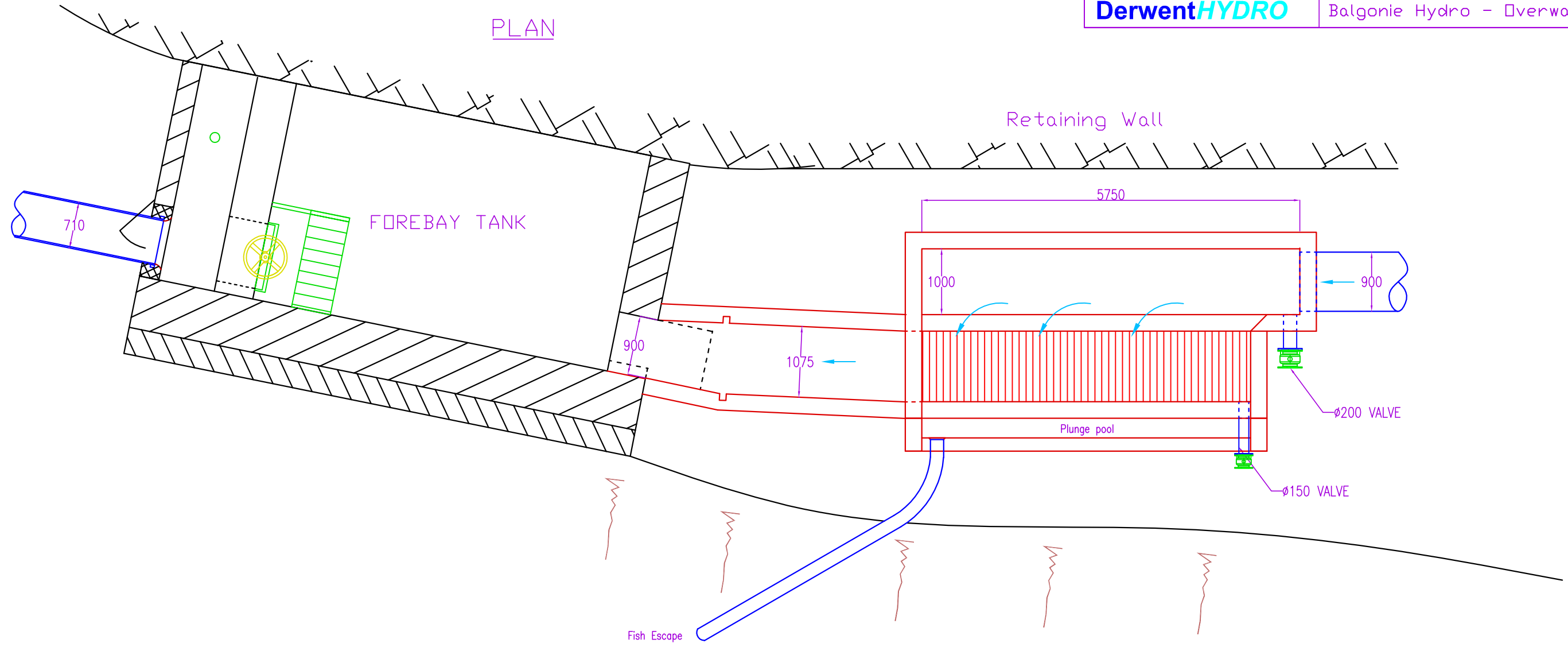
SIDE ELEVATION



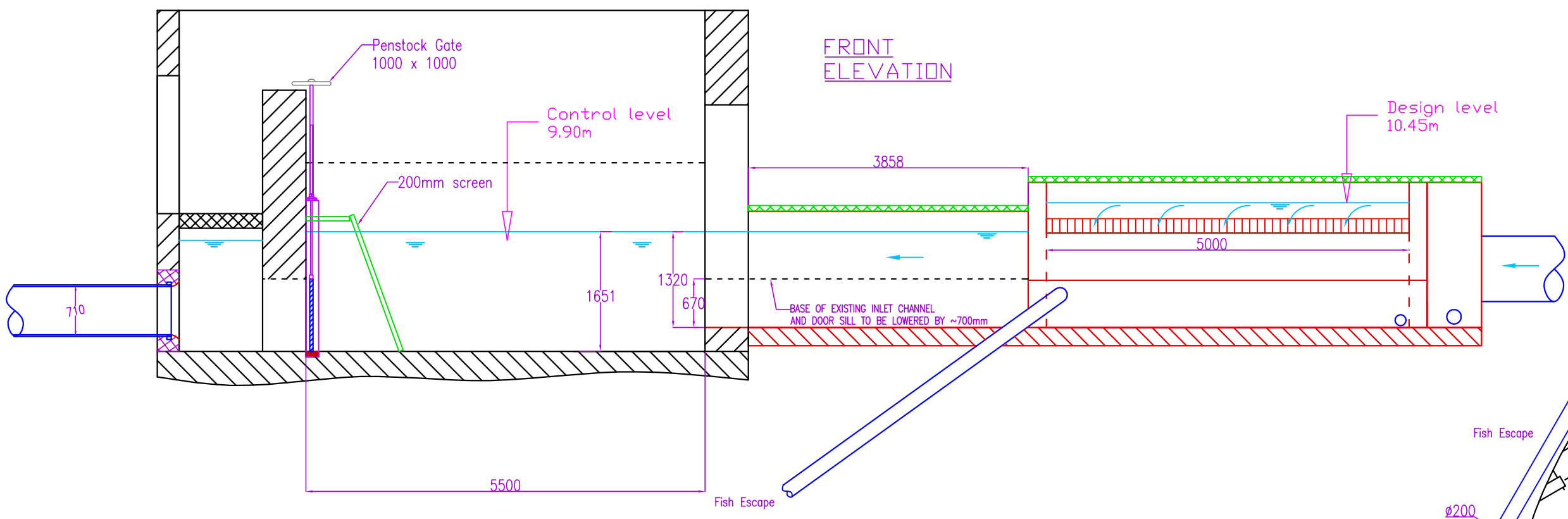
SIDE ELEVATION



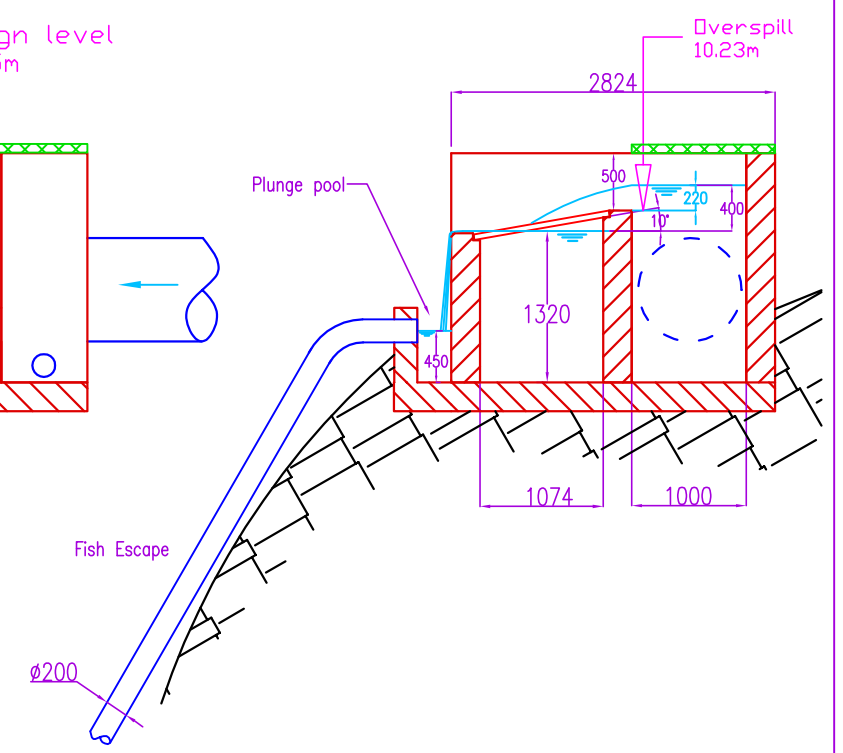
PLAN



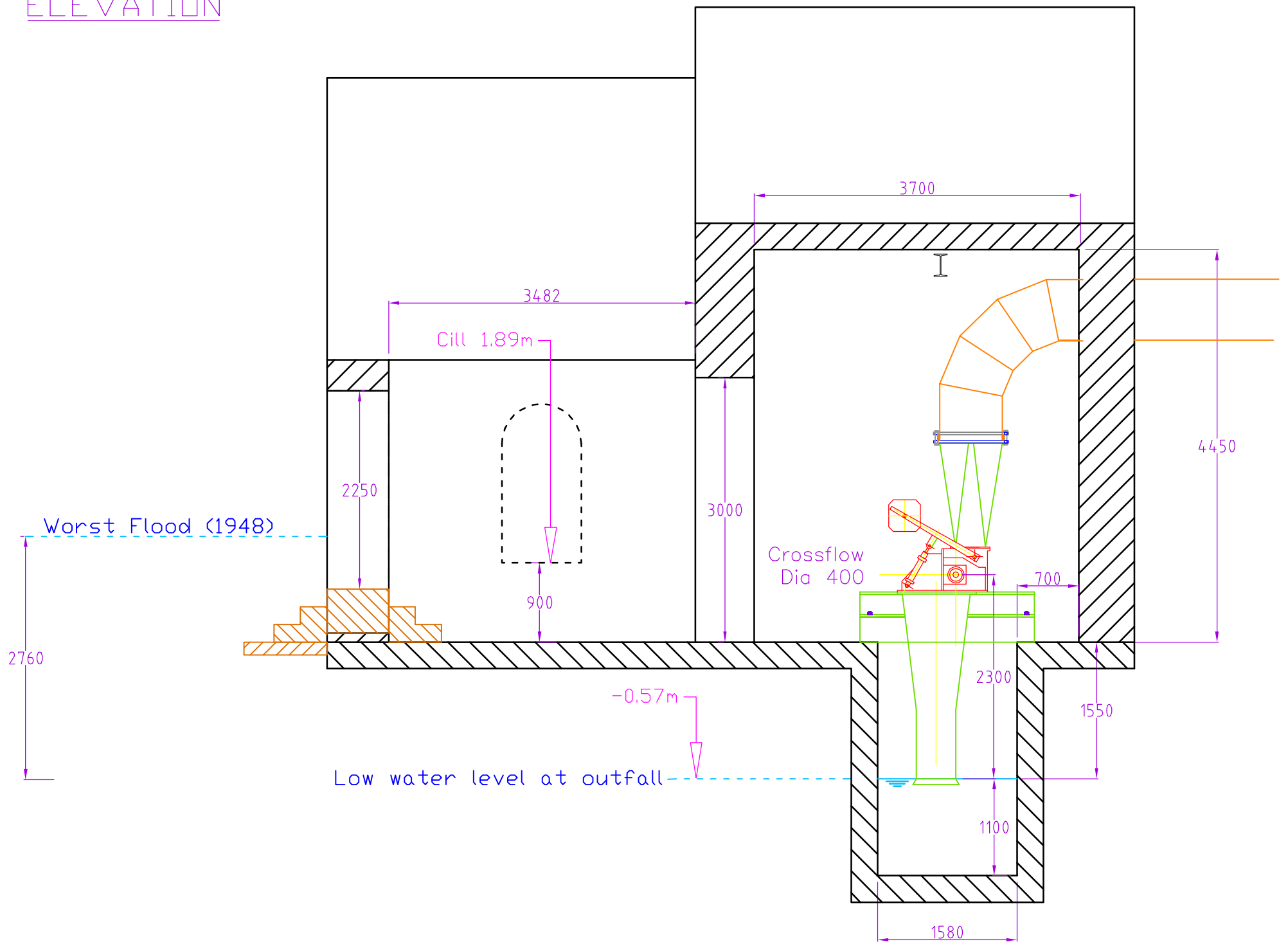
FRONT ELEVATION



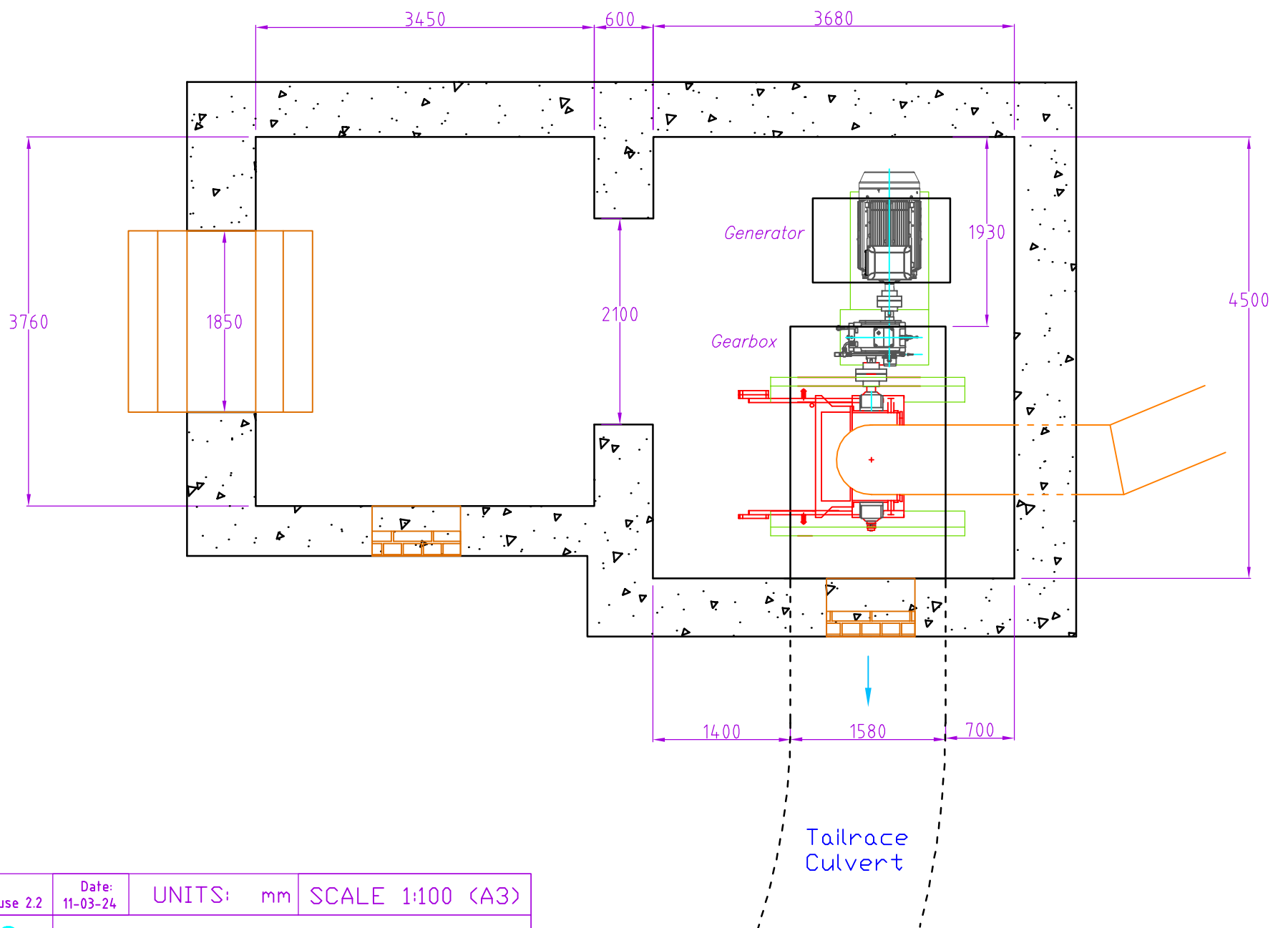
SIDE ELEVATION THROUGH SCREEN

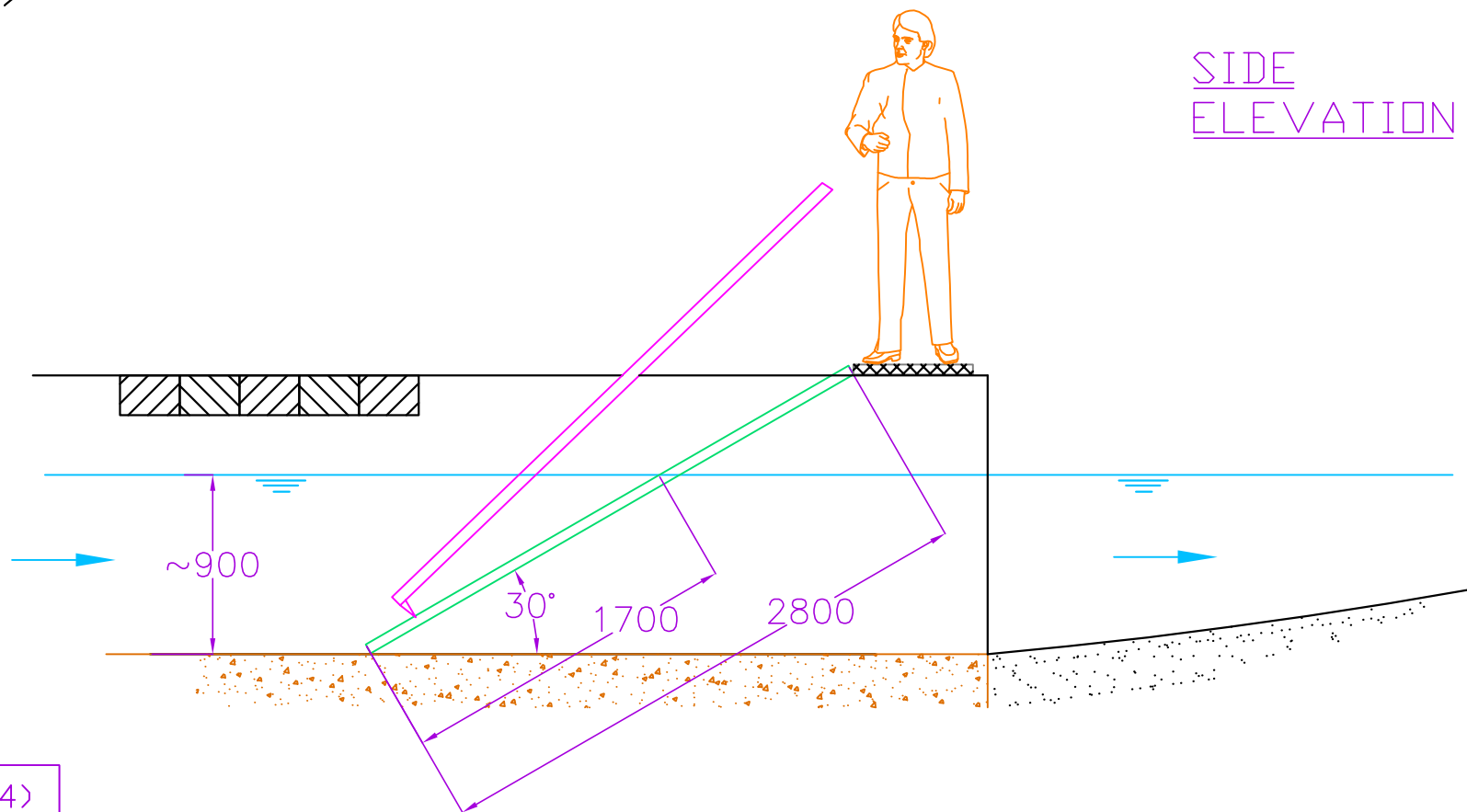
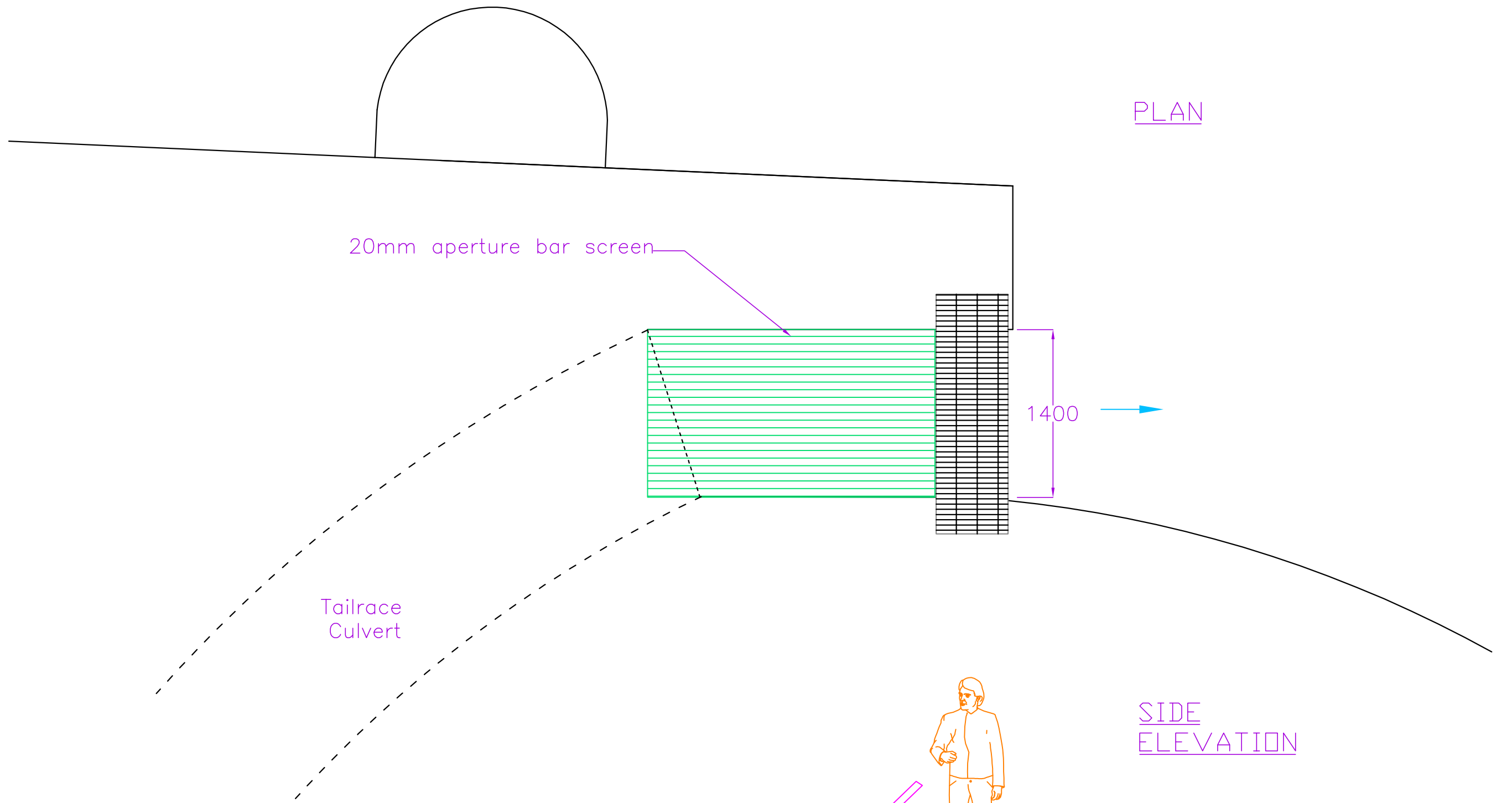


SIDE ELEVATION



PLAN





Drawn by:	Filename:	Date:	UNITS:	SCALE
	Balgonie Phouse 2.2	18-05-24	mm	1:50 (A4)

DerwentHYDRO Tailrace screen