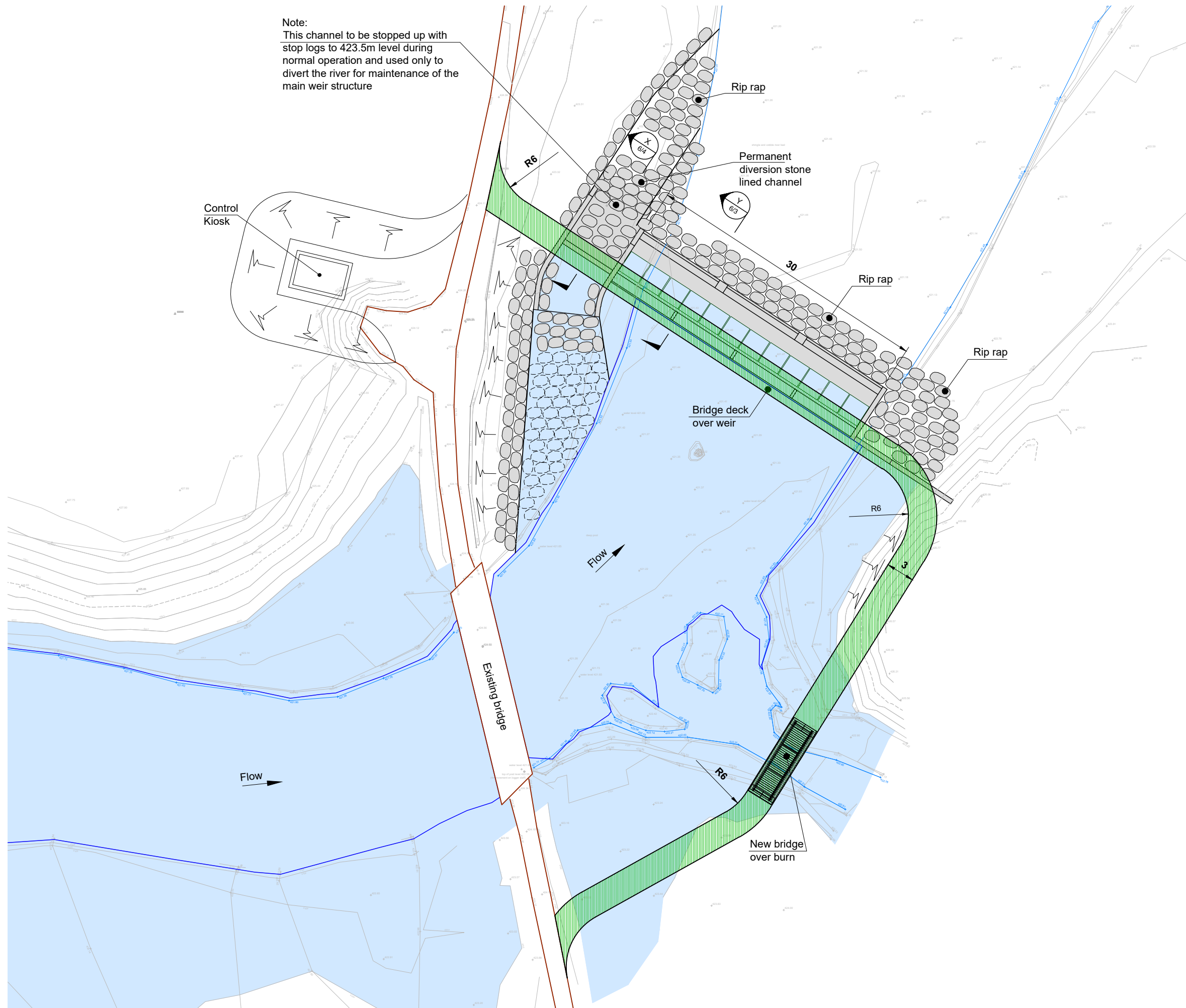




North

Note:
This channel to be stopped up with stop logs to 423.5m level during normal operation and used only to divert the river for maintenance of the main weir structure



Plan

1:200 @ A1, 1:400 @ A3

IF IN DOUBT - ASK

NOTES

1. All levels are in metres above ordnance datum (maod).
2. All dimensions are in metres unless noted otherwise.
3. For Sections X & Y refer to Figure 6 Sheet 3 and Figure 6 Sheet 4.

LEGEND

- Extent of Annual Flood Inundation (+423.5m)
- Low Water Level (+422.0m)
- Existing Footpath / Track
- New Bridge above Weir

P2	23.03.21	<input checked="" type="checkbox"/>	Updated for SEPA		
P1	16.06.21	<input checked="" type="checkbox"/>	For Planning		
REV	DATE	DRAWN	NOTES	CHKD	APPD

GILKES energy
 177 WEST GEORGE ST.
 GLASGOW
 G2 2LB
 UNITED KINGDOM
 E: info@gilkesenergy.com
 W: www.gilkesenergy.com

CLIENT
BLENCATHRA HYDRO LTD.

PROJECT
LOCH PATTACK WEIR

DRAWING TITLE
**NEW WEIR
GENERAL ARRANGEMENT
LAYOUT**

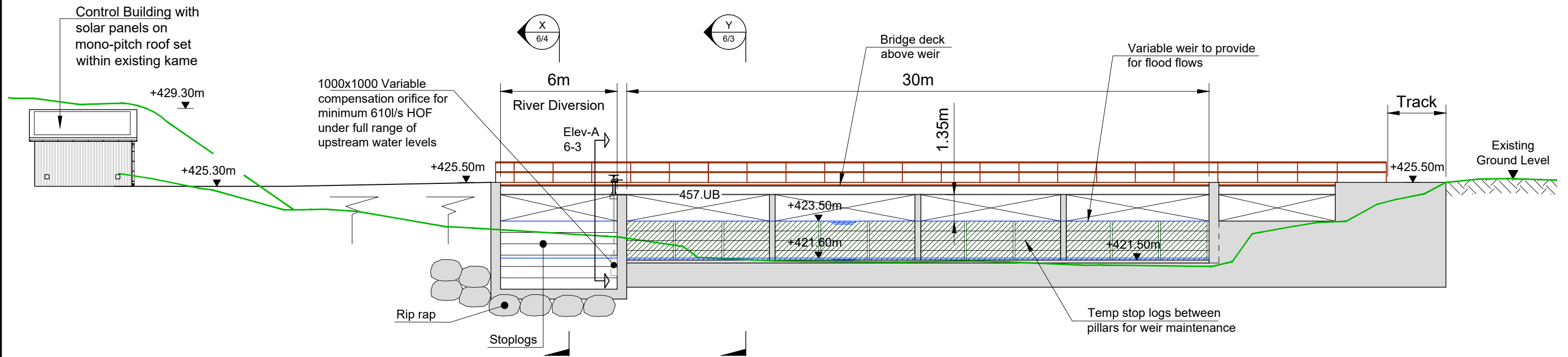
SCALE AT A1 (ORIGINAL SHEET SIZE) SCALE AT A3 : 1:400

DRAWING NUMBER/REFERENCE DRAWING STATUS
FIGURE 6 SHEET 1 **PRE**

IF IN DOUBT - ASK

NOTES

1. All levels are in metres above ordnance datum (maod).
2. All dimensions are in metres unless noted otherwise.
3. For Sections X & Y refer to Figure 6 Sheet 3 and Figure 6 Sheet 4.



Upstream Elevation on Weir

1:100 @ A1, 1:200 @ A3

REV	DATE	DRAWN	NOTES	CHKD	APPD
P3	23.03.22		Updated for SEPA		
P2	27.01.22		Updated for SEPA		
P1	25.06.21		For Planning		

GILKES energy

177 WEST GEORGE ST.
GLASGOW
G2 2LB
UNITED KINGDOM
T: [REDACTED]
E: info@gilkesenergy.com
W: www.gilkesenergy.com

CLIENT
BLENCATHRA HYDRO LTD.

PROJECT
LOCH PATTACK WEIR

DRAWING TITLE
**NEW WEIR
GENERAL ARRANGEMENT
ELEVATION**

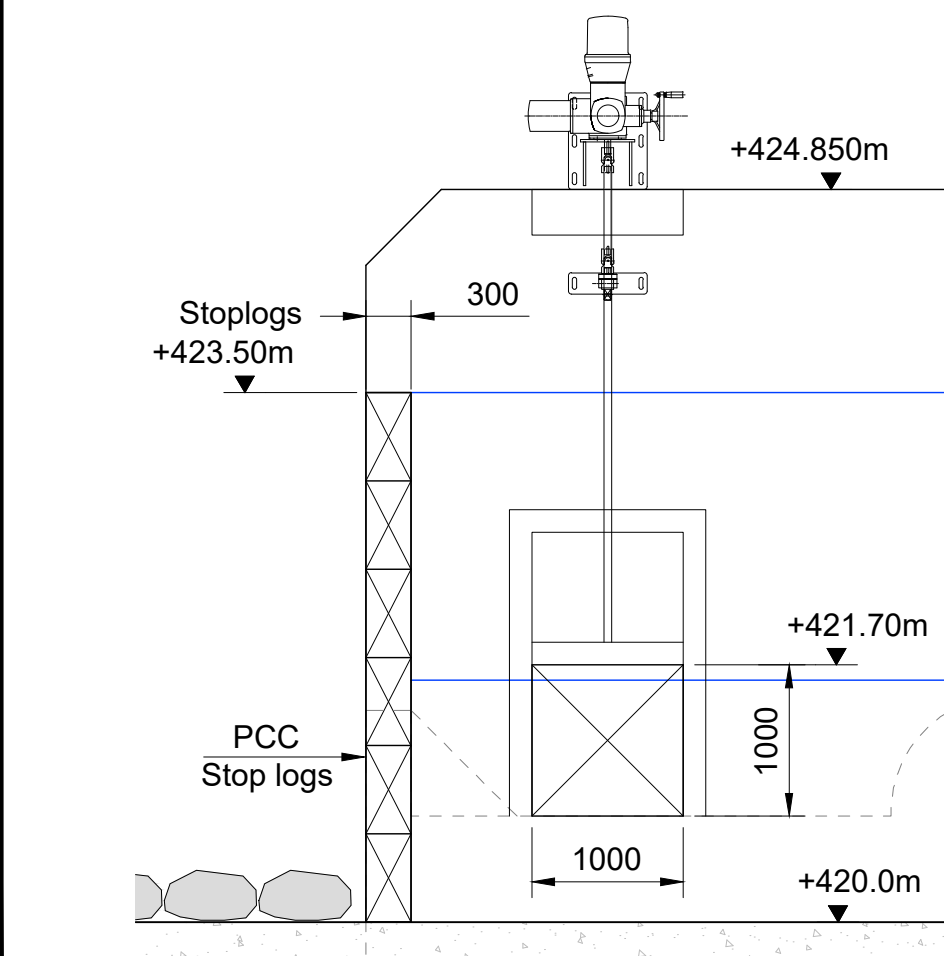
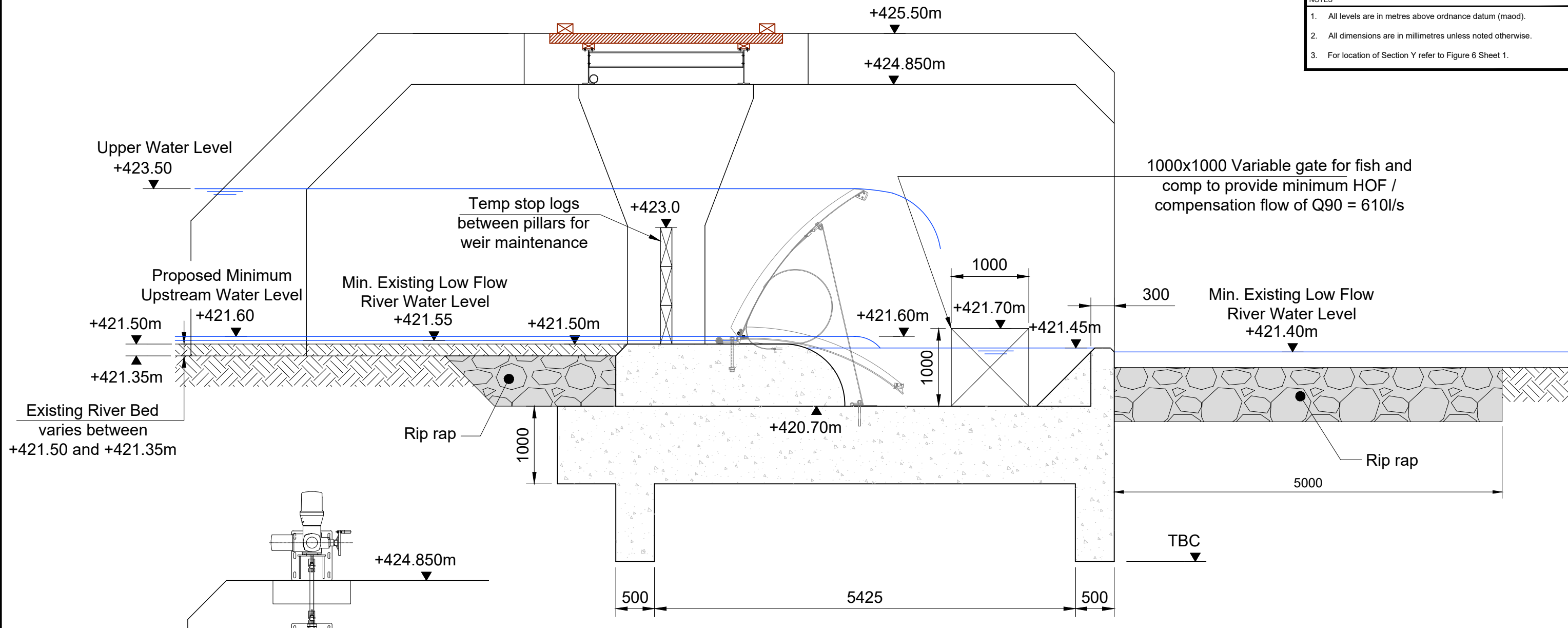
SCALE AT A1 (ORIGINAL SHEET SIZE) 1:100
SCALE AT A3: 1:200

DRAWING NUMBER/REFERENCE: **FIGURE 6 SHEET 2**
DRAWING STATUS: **PRE**

IF IN DOUBT - ASK

NOTES

1. All levels are in metres above ordnance datum (maod).
2. All dimensions are in millimetres unless noted otherwise.
3. For location of Section Y refer to Figure 6 Sheet 1.



Elevation A on Variable Compensation Flow Plate

1:25 @ A1, 1:50 @ A3

Section Y
1:25
6/1
Typical Section Through Obermeyer Weir

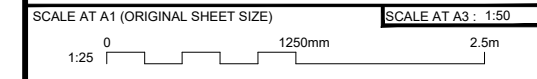
P3	04.03.22	Updated for SEPA	
P2	27.01.22	Updated for SEPA	
P1	25.06.21	For Planning	
REV	DATE	DRAWN	NOTES

GILKES energy
 177 WEST GEORGE ST.
 GLASGOW
 G2 2LB
 UNITED KINGDOM
 E: info@gilkesenergy.com
 W: www.gilkesenergy.com

CLIENT
BLENCATHRA HYDRO LTD.

PROJECT
LOCH PATTACK WEIR

DRAWING TITLE
**NEW WEIR
GENERAL ARRANGEMENT
SECTIONS - SHEET 1 OF 2**



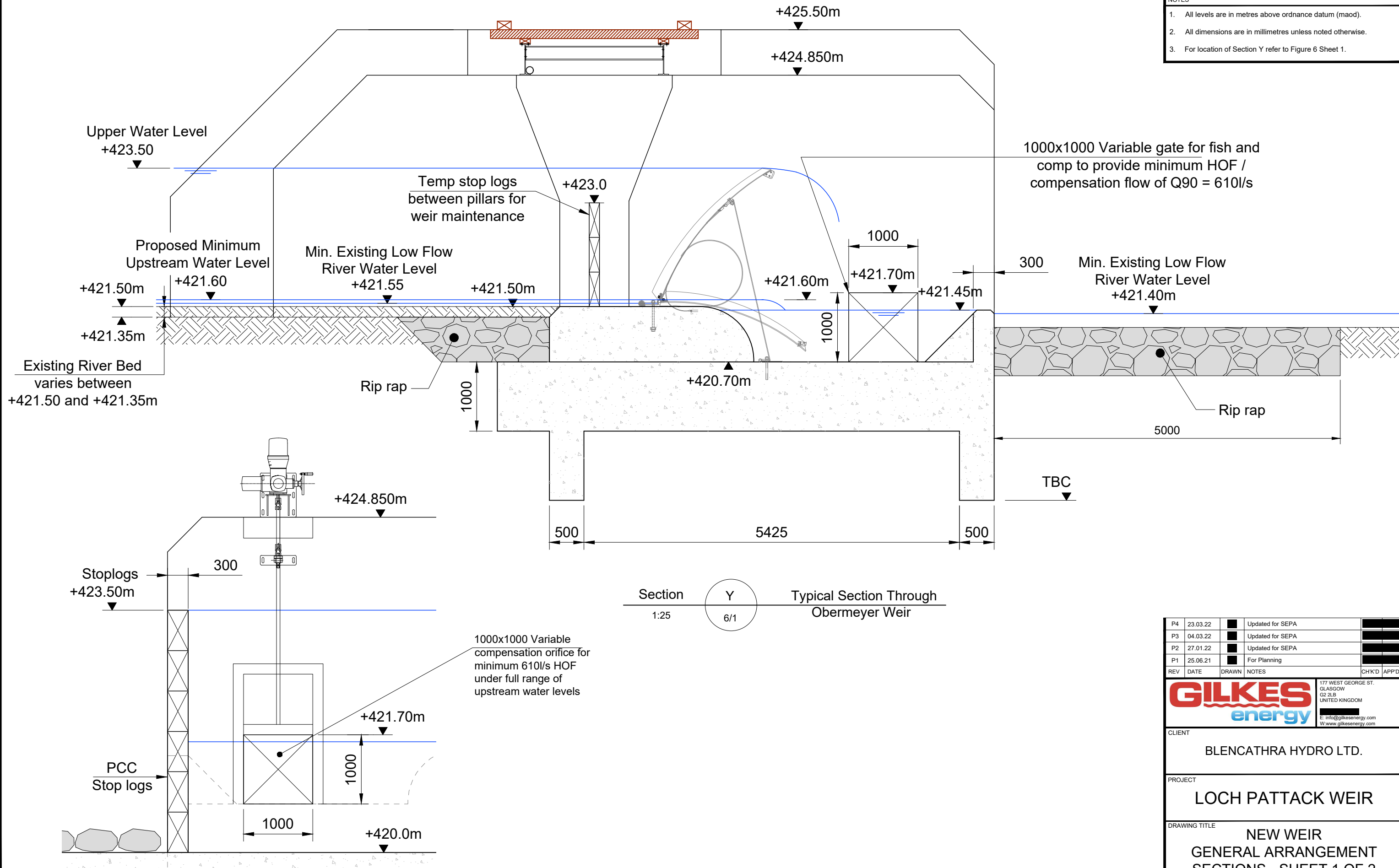
DRAWING NUMBER/REFERENCE
FIGURE 6 SHEET 3

DRAWING STATUS
PRE

IF IN DOUBT - ASK

NOTES

1. All levels are in metres above ordnance datum (maod).
2. All dimensions are in millimetres unless noted otherwise.
3. For location of Section Y refer to Figure 6 Sheet 1.



Section Y
1:25
6/1
Typical Section Through Obermeyer Weir

Elevation A on Variable Compensation Flow Plate
1:25 @ A1, 1:50 @ A3

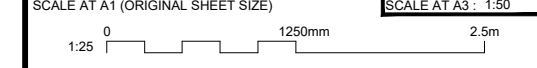
P4	23.03.22	Updated for SEPA	
P3	04.03.22	Updated for SEPA	
P2	27.01.22	Updated for SEPA	
P1	25.06.21	For Planning	
REV	DATE	DRAWN	NOTES

GILKES energy
177 WEST GEORGE ST.
GLASGOW
G2 2LB
UNITED KINGDOM
E: info@gilkesenergy.com
W: www.gilkesenergy.com

CLIENT
BLENCATHRA HYDRO LTD.

PROJECT
LOCH PATTACK WEIR

DRAWING TITLE
**NEW WEIR
GENERAL ARRANGEMENT
SECTIONS - SHEET 1 OF 2**



DRAWING NUMBER/REFERENCE
FIGURE 6 SHEET 3

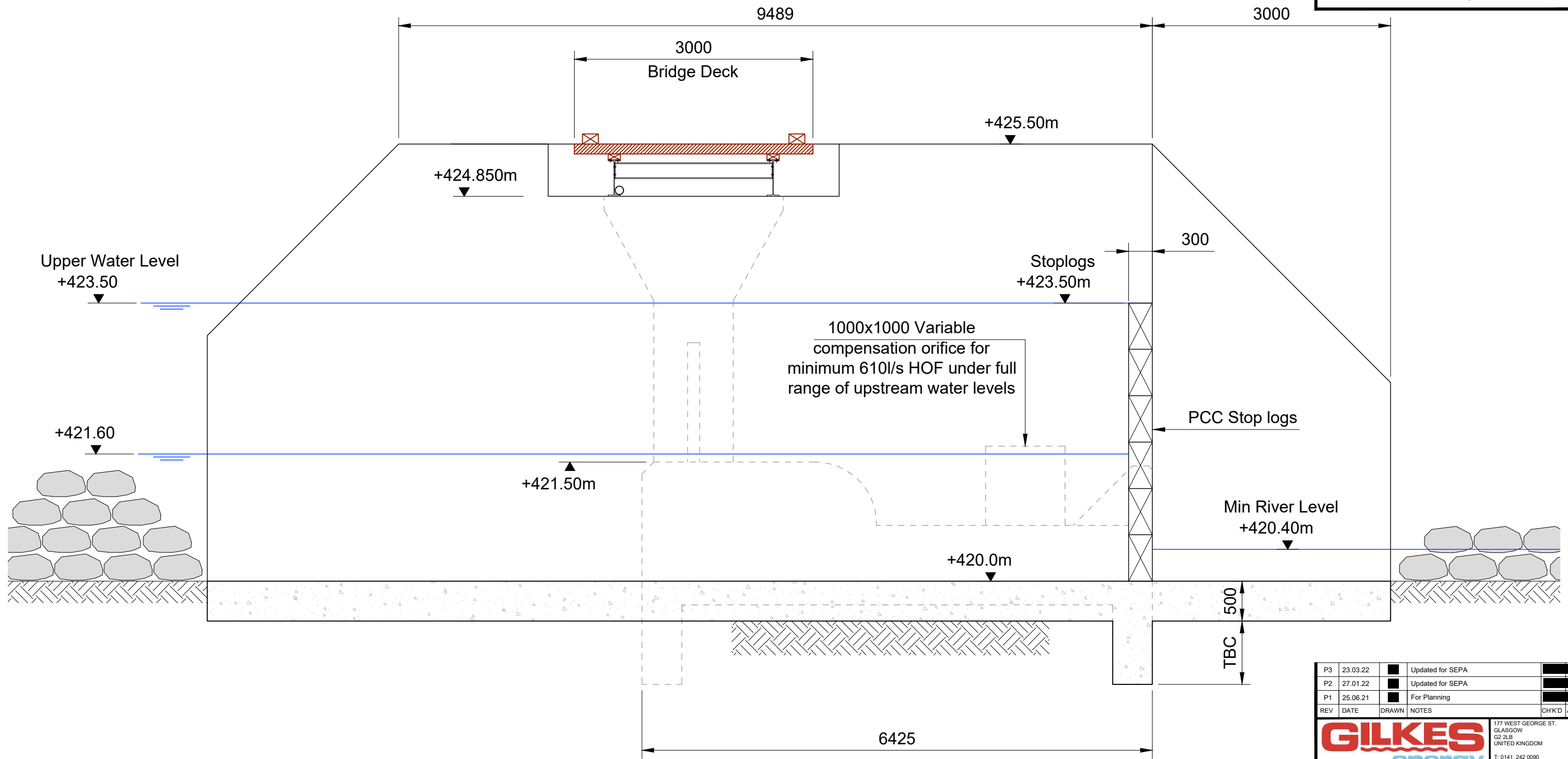
DRAWING STATUS
PRE

© GILKES ENERGY LIMITED
THIS DOCUMENT IS ISSUED FOR THE PARTY WHICH COMMISSIONED IT AND FOR SPECIFIC PURPOSES CONNECTED WITH THE CAPTIONED PROJECT ONLY. IT SHOULD NOT BE RELIED UPON BY ANY OTHER PARTY FOR ANY OTHER PURPOSE. GILKES ENERGY LIMITED ACCEPTS NO RESPONSIBILITY FOR THE CONSEQUENCES OF THIS DOCUMENT BEING RELIED UPON BY ANY OTHER PARTY, OR BEING USED FOR ANY OTHER PURPOSE, OR CONTAINING ANY ERROR OR OMISSION WHICH IS DUE TO AN ERROR OR OMISSION IN DATA SUPPLIED TO US BY OTHER THIRD PARTIES.

IF IN DOUBT - ASK

NOTES

1. All levels are in metres above ordnance datum (maod).
2. All dimensions are in millimetres unless noted otherwise.
3. For location of Section X refer to Figure 6 Sheet 1.



Section X
1:25
Typical Section Through Channel
6/1

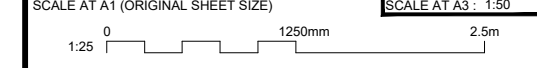
P3	23.03.22	Updated for SEPA	
P2	27.01.22	Updated for SEPA	
P1	25.06.21	For Planning	
REV	DATE	DRAWN	NOTES

GILKES energy
 177 WEST GEORGE ST.
 GLASGOW
 G2 2LB
 UNITED KINGDOM
 T: 0141 242 0090
 E: info@gilkesenergy.com
 W: www.gilkesenergy.com

CLIENT
BLENCATHRA HYDRO LTD.

PROJECT
LOCH PATTACK WEIR

DRAWING TITLE
**NEW WEIR
 GENERAL ARRANGEMENT
 SECTIONS - SHEET 2 OF 2**

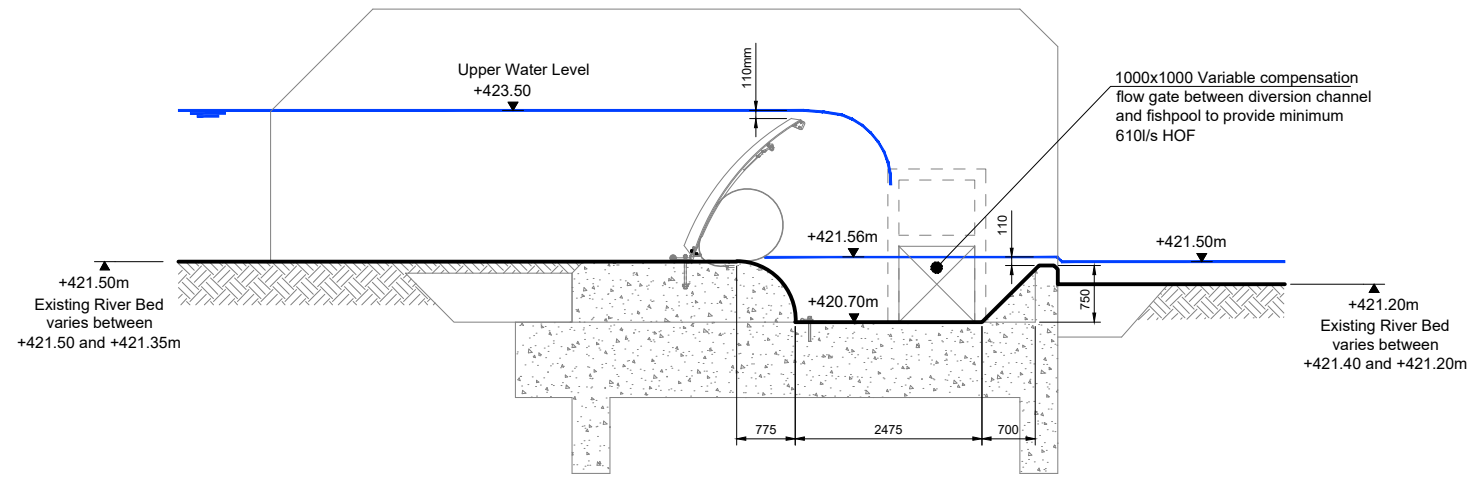


DRAWING NUMBER/REFERENCE DRAWING STATUS
FIGURE 6 SHEET 4 **PRE**

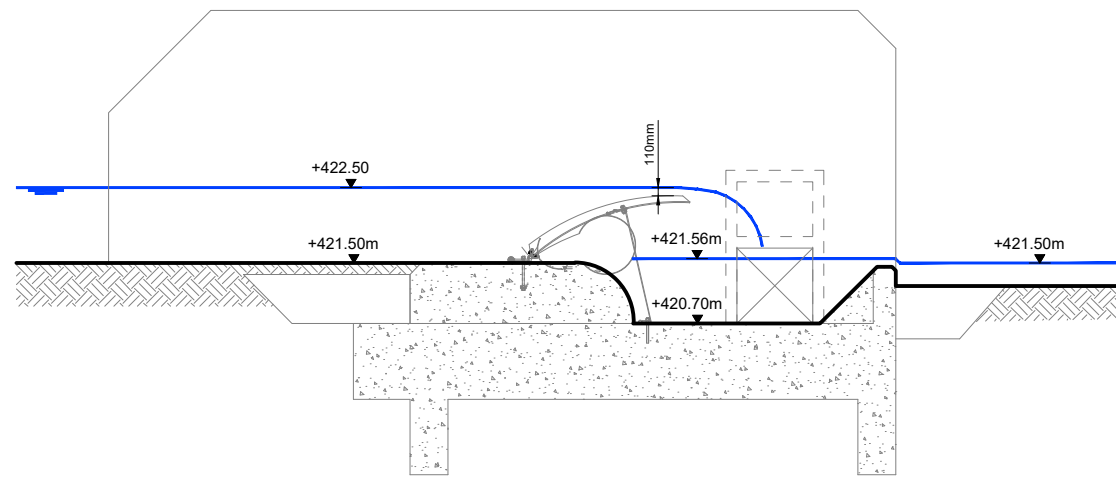
IF IN DOUBT - ASK

NOTES

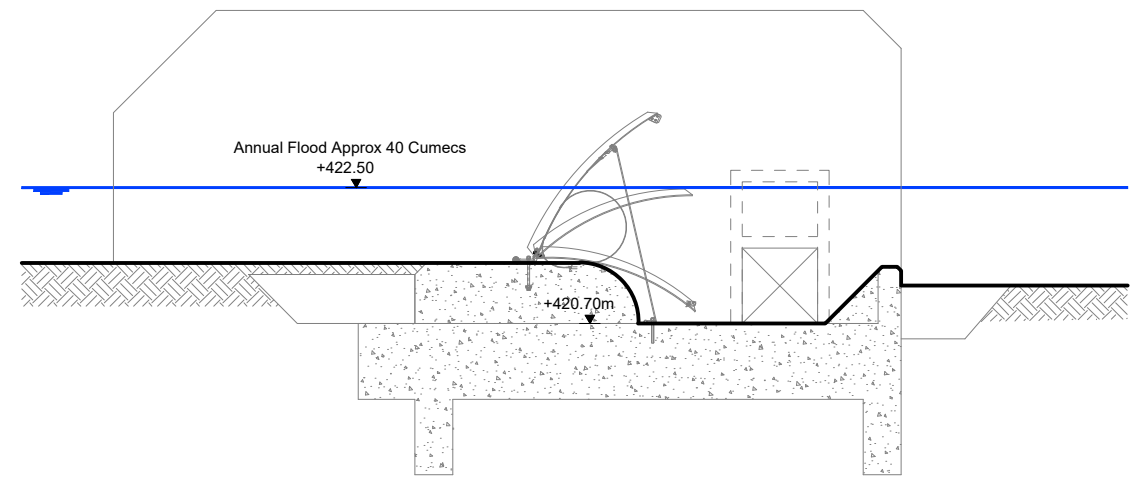
- All levels are in metres above ordnance datum (maod).
- All dimensions are in millimetres unless noted otherwise.



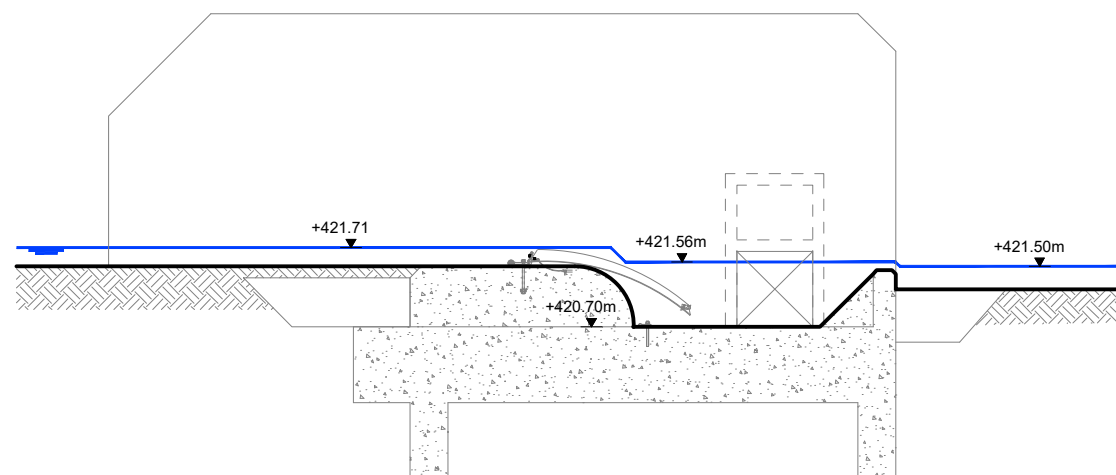
2m³/s Flow Over Weir @ +423.5 plus 0.61m³ HOF
1:50 @ A1, 1:100 @ A3



2m³/s Flow Over Weir @ +422.5 at Half Height
1:50 @ A1, 1:100 @ A3



Annual Flood Over Weir
1:50 @ A1, 1:100 @ A3



80m³/s Annual Flood plus 2m³/s Flow Over Weir with Weir Fully Closed
1:50 @ A1, 1:100 @ A3

P2	23.03.22	Updated for SEPA		
P1	27.01.22	Preliminary		
REV	DATE	DRAWN	NOTES	CHKD APPD

GILKES energy

177 WEST GEORGE ST.
GLASGOW
G2 2LB
UNITED KINGDOM
T: 0141 242 0090
E: info@gilkesenergy.com
W: www.gilkesenergy.com

CLIENT
BLENCATHRA HYDRO LTD.

PROJECT
LOCH PATTACK WEIR

DRAWING TITLE
NEW WEIR FLOW SECTIONS

SCALE AT A1 (ORIGINAL SHEET SIZE) SCALE AT A3: 1:100
0 2.5m 5m
1:50

DRAWING NUMBER/REFERENCE DRAWING STATUS
FIGURE 6 SHEET 5 PRE