

Merkland Burn - Powerhouse Design

Job Reference

Merkland

Construction Centre

NS 02140 38554

Date: 04/03/2024

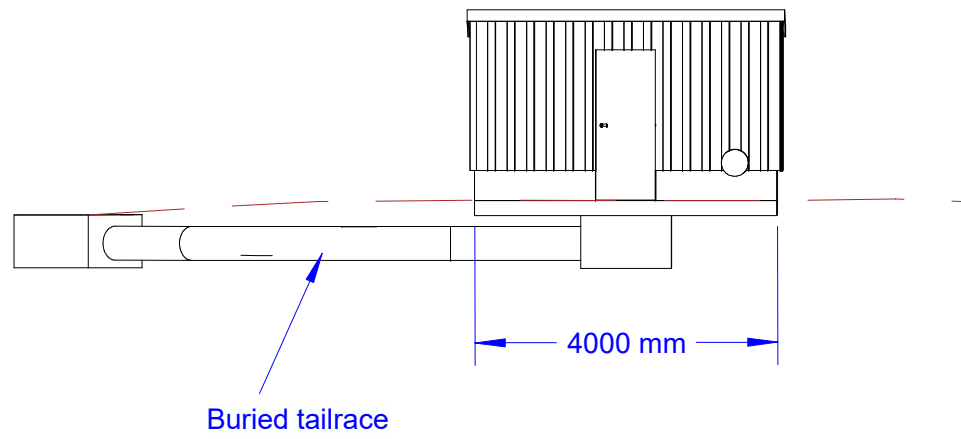
Version: 1

Scale: 1:100

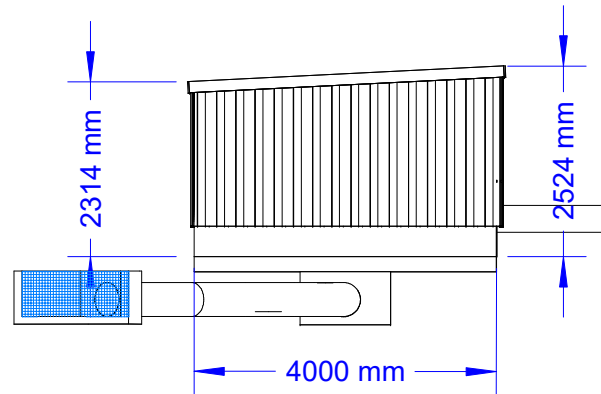
Page 1 of 1

Revision Details

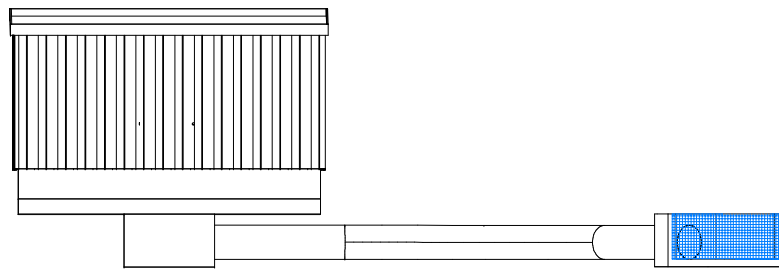
View A - NW Elevation



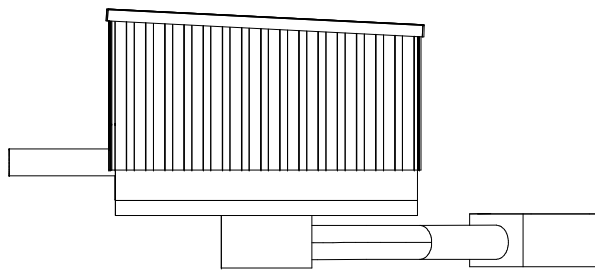
View B - NE Elevation



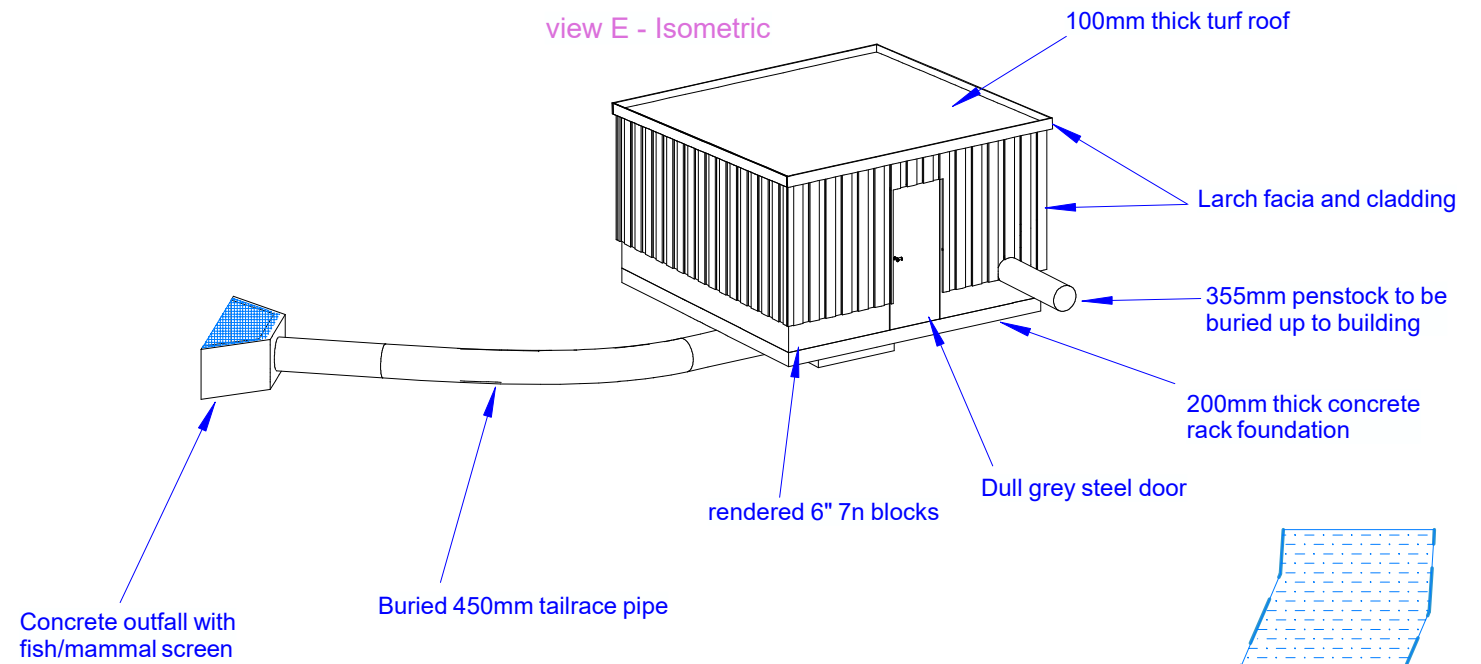
View C - SE Elevation



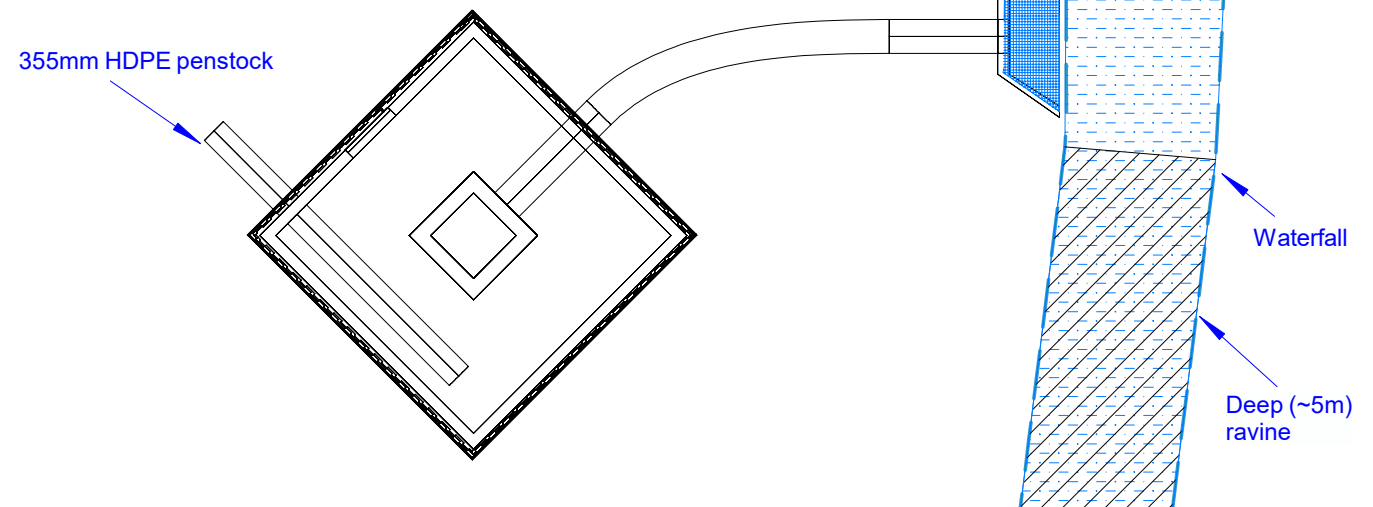
View D - SW Elevation



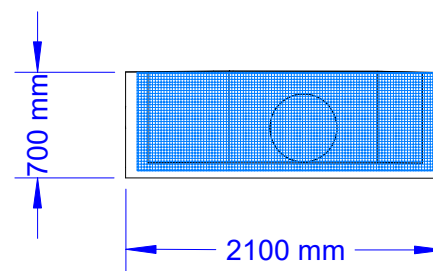
view E - Isometric



View F - Plan



View G - Plunge Pool
Scale 1:50



View H - Outfall plan
Scale 1:50

